



UL,C-ULFile No.:E179745  
CQC File No.:CQC02001002118

- Ultra-small size of 15.4mmX10.4mmX11.2mm.
- High sensitivity:200 mW nominal operating power.
- Gold-clad contact for high reliability

## SPECIFICATIONS

### Contact

Arrangement	1a, 1c	
Contact material	Silver alloy	
Contact resistance (By voltage drop 1A 6VDC)	100mΩ Max.	
UL/C-UL rating		
Resistance load (cos φ = 1)	3A	120VAC
	1A	120VAC
	3A	24VDC
CQC rating	1A	125VAC
Max.switching voltage	120VAC	60VDC
Max.switching current	3A	
Max.switching power	360VA	72W
Expected life(min.ope)	Mechanical (at 120 cpm)	1X10 <sup>7</sup>
	Electrical (at 20 cpm)	1X10 <sup>5</sup>

### Coil

Nominal operating power	0.2W, 0.36W, 0.45W
-------------------------	--------------------

### Characteristics

		Type	SYS1-D	SYS1-L
Item				
Operate time			8 msec. Max.	10 msec. Max.
Release time			4 msec.Max.	
Operating humidity			45~85% RH	
Initial breakdown voltage	Between contact and coil		500VAC (50/60Hz) for 1 min.	
	Between open contacts		750VAC (50/60Hz) for 1 min.	
Ambient temperature			-30℃~+60℃	
Shock resistance	Functional		10G Min.	
	Destructive		100G Min.	
Vibration resistance	Functional		10 TO 55 Hz at double Amplitude of 1.5mm	
	Destructive		10 TO 55 Hz at double Amplitude of 1.5mm	
Temperature rise (Max.)			45℃	25℃
Unit weight			Approx. 3.5g	

## TYPICAL APPLICATIONS

1. Telecommunication.
2. Domestic appliance.
3. Office machines.
4. Audio equipment , etc.

## ORDERING INFORMATION

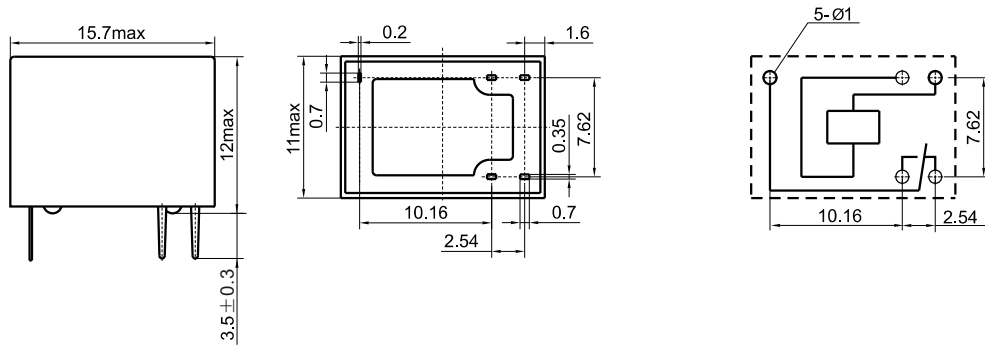
Type	Protective construction	Number of poles	Coil voltage	Coil sensitivity	Contact form
SYS1	NIL:Flux type S:Sealed type	1:1 pole	03,05,06, 09,12,24	D:0.36W L:0.20W NIL:0.45W	M:1 Form A Nil:1 Form C

# COIL(at 20°C)

SYS1K

Voltage code	Nominal voltage (VDC)	Nominal current (mA)	Coil resistance ( $\Omega \pm 10\%$ )	Drop-out voltage (VDC)	Pick-up voltage (VDC)	Nominal operating power (W)	Max allowable voltage (VDC)
03	3	120.00	25	5%Min.	75%Max.	0.36	130% of nominal voltage
05	5	71.43	70				
06	6	60.00	100				
09	9	40.00	225				
12	12	30.00	400				
24	24	15.00	1,600				
03	3	66.67	45				
05	5	40.00	125				
06	6	33.33	180				
09	9	22.22	405				
12	12	16.67	720				
24	24	8.33	2,880				
03	3	150.00	20				
05	5	89.29	56				
06	6	75.00	80				
09	9	50.00	180				
12	12	37.50	320				
24	24	18.75	1,280				

## OUTLINE DIMENSIONS, WIRING DIAGRAM AND PC BOARD LAYOUT(unit:mm)



## CHARACTERISTICS CURVE

